

# Anemometer WindSensor (Risø) P2546D-OPR

MEASNET calibrated anemometer



## Description

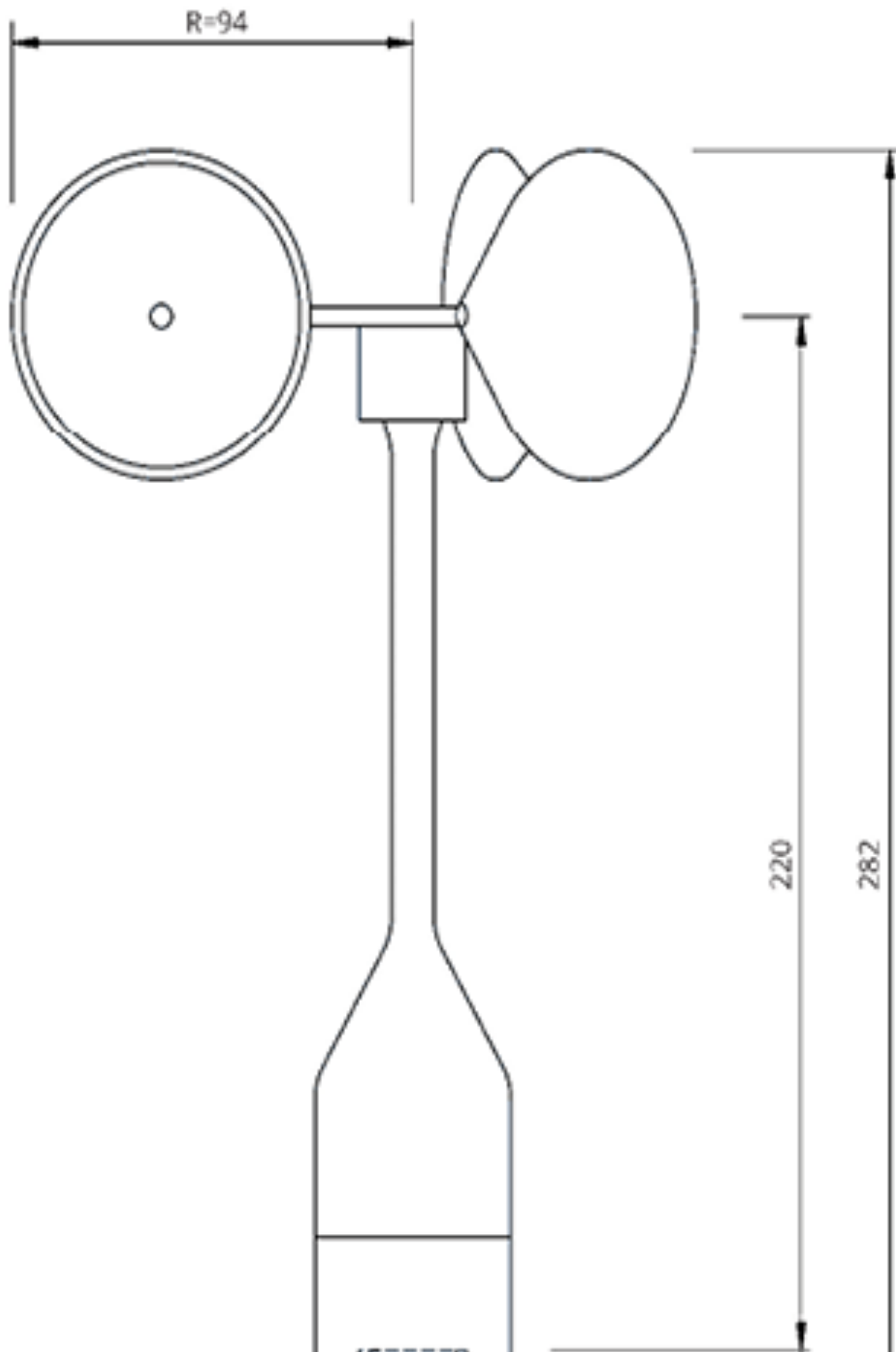
- MEASNET calibrated anemometer
- One-piece rotor anemometer head
- Low threshold speed
- Short distance constant
- Negligible overspeeding
- Angular response independent of wind speed
- Symmetrical geometry
- No external power source
- Individually calibrated compliant with IEC 61400-12-1

## Specifications

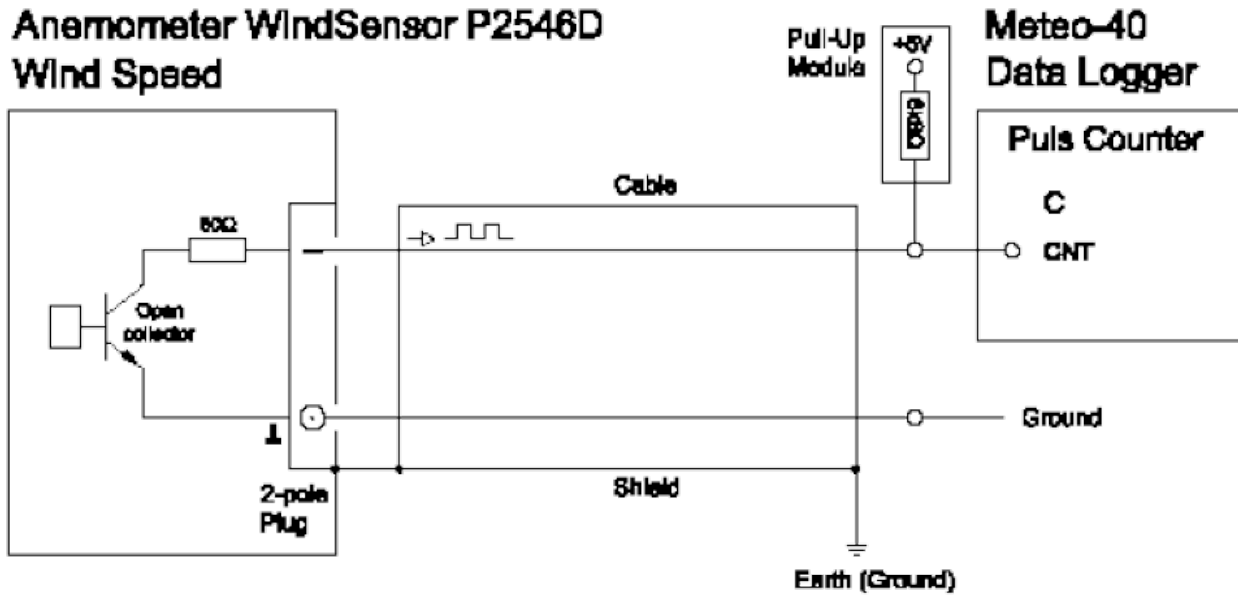
Characteristics	
Calibration	Each anemometer individually calibrated compliant with IEC 61400-12-1.
Measurement range	0 ... 75 m/s
Slope	0.620 m
Offset	0.21 m/s
Starting threshold	< 0.3 m/s
Distance constant	$\lambda_0 = 1.81 \pm 0.04$ m
Switching characteristic	
Signal Type	NPN open collector, frequency proportional to wind speed
Duty cycle	45 ... 55 %
Max. switching voltage	30 V
Max. recommended switching current	10 mA

Characteristics	
Output resistance	60 $\Omega$
Operating temperature range	-40 ... +60 °C
Exterior materials	Anodized aluminum, Stainless steel and GRP
Weight	0.36 kg
Overall height	282 mm
Swept diameter of rotor	188 mm
Manufacturer	WindSensor
Accessories	Module M83570 or M83200 (pull-up resistor 5.1 k $\Omega$ required)

## Dimensional drawing



### Sensor connection diagram



Sensor	Ammonit Color	Wire	Meteo-40 Counter	Supply Sensor
Signal, high	white		Counter CNT, 6k8 (Switch: 5 V via 6k8 to CNT, Pull-up resistor)	
Signal, low	black			Main Ground

Connect the shield logger-sided to Ground (GND)

Cable type: LiYCY 2 (3) x 0.25 mm<sup>2</sup>